

# Semi-auto Mounting Press

MA



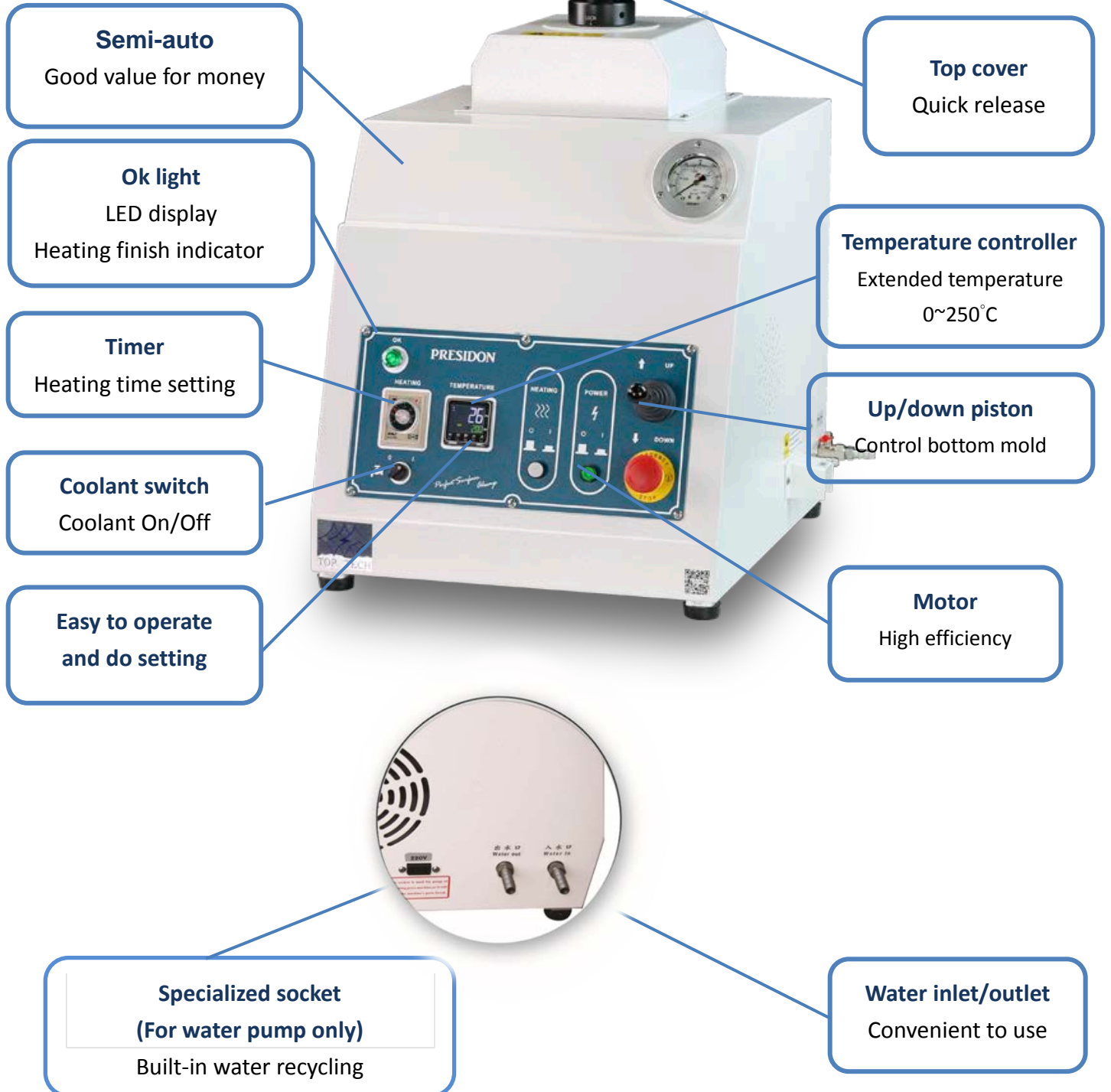


TOP TECH

## Instruction



### Operation video

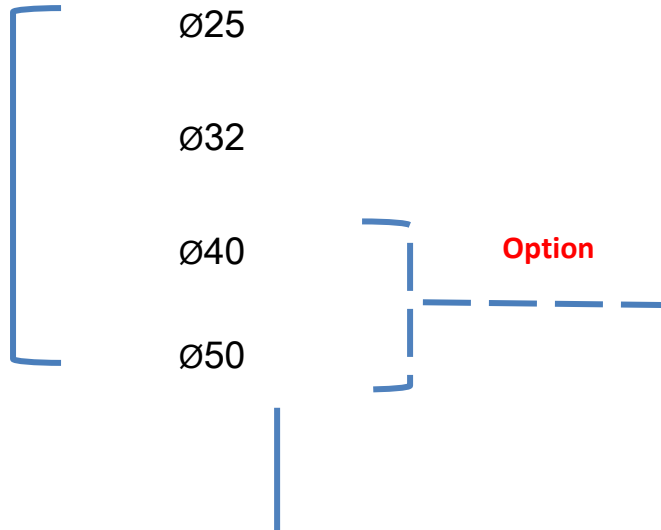




TOP TECH

## Features

### Molds



Cylinder kit  
(Appendix 2)



Option



Coolant pump

Order no.	Spec.
QWP06001	1Ø-110V-50/60HZ
QWP06002	1Ø-220V-50/60HZ
QWP06002-1	1Ø-200V-50/60HZ



TOP TECH

## Panel Illustration

Pressure adding suggestions : 60 kg/cm<sup>2</sup>  
Not lower than 30 kg/cm<sup>2</sup>



Ok light on after heating



Add pressure manually while pressure lower than 60 kg/cm<sup>2</sup> during operation.

Turn on the water after heating





TOP TECH

## Worthy Options - Working Table



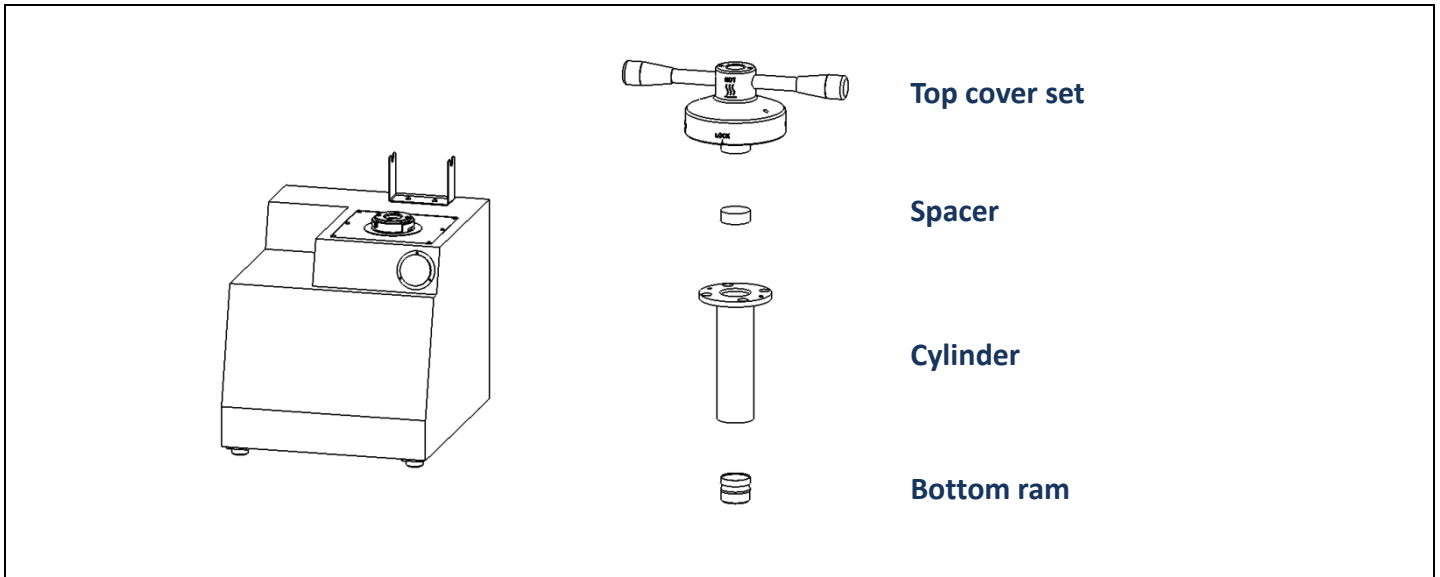
**Working Table**  
Multifunctional working table, it supplies you a place to put your machine and store your accessories. It can be moved easily.

Model No.	TF01	TF02
Size	1000*800*700 mm	1200*1000*700 mm
Sample		



TOP TECH

Appendix 1 、 Cylinder kit option



Ø40					
Cylinder kit (Single mold)	Size	Ø25	Ø30	Ø32	Ø40
	Order no.	ML40AD0215A	ML40AE0214A	ML40AE0213A	-
Ø50					
Cylinder kit (Single mold)	Size	Ø25	Ø30	Ø32	Ø40
	Order no.	ML50AE0216A	ML50AE0215A	ML50AE0214A	ML50AE0213A

**Note 1: Cylinder kit including follow parts.**

Single mold: Top cover set 、 Spacer x 1 、 cylinder 、 Bottom ram

**Note 2: Special specification can be ordered.**

**Note 3: Cylinder size below Ø32mm not able to option inside mold.**



## Appendix 2 、 Option accessories

### Spacer

	Specification	Order on.	
		Copper spacer	Iron spacer
Metric (mm)	Ø25	ML25AE0210-1	ML25AE0210-2
	Ø32	M32C0006-1	M32C0006-3
	Ø38	-	-
	Ø40	M40C0006-1	M40C0006-2
	Ø50	ML50DG0210-1	ML50DG0210-2
Inch (in)	1"	-	M25AE0211
	1 $\frac{1}{4}$ "	M32C0011	M32C0011-1
	1 $\frac{1}{2}$ "	ML38AE0206	ML38AE0206-1
	2"	-	-
Remark	Special sizes can be customized		

### Water pump

Order on.	Specification	Remark
QWP06001	1Ø-110V-50/60HZ	
QWP06002	1Ø-220V-50/60HZ	
QWP06002-1	1Ø-200V-50/60HZ	







TOP TECH

## Specification

Model No.	MA			
Sample dia.	Ø25mm	Ø32mm	Ø40mm	Ø50mm
Driven method	Hydraulic			
Sample dia.	1pc/per time - Note 1			
Temperature	0~250°C - Note 2			
Noise level (idle running)	62~73dB		63~75dB	
Heating power	1200W		1600W	
Motor power	1760W		2160W	
Heating time	Max.30 minutes			
Cooling	Turn on the water switch after heating until temperature drop to the room temperature			
Pressure adding	60 kg/cm2 ( 852psi )			
Machine Dimension (WxDxH)	50x59x65cm			
Machine Weight	65Kg		66Kg	
Water inlet/outlet pipes	10mm pipes (inner dia.Ø10mm – Outer dia.Ø15mm)			
Cooling System	Connect to water pump for cooling recalculation			
Power supply	AC220V-1 Ø (Special voltage can be ordered)			
Standard accessories	Tweezer : 1pc	Funnel : 1pc	Spacer(E3): 2pcs	
	Spoon : 1pc	Mounting resin : 1kg(2.2lb)	Water pump : 1set	
	Pipe clip : 4pcs	Copper fitting : 1pc		
Option	Cylinder kit			

Note 1: Two molds can be produced at same times if option spacer.

Note 2: Special temperature requirement can be customized.

Note 3: Special shape and size requirements can be customized.

**We reserve the right of changing design without notice**